

# Bend, isol

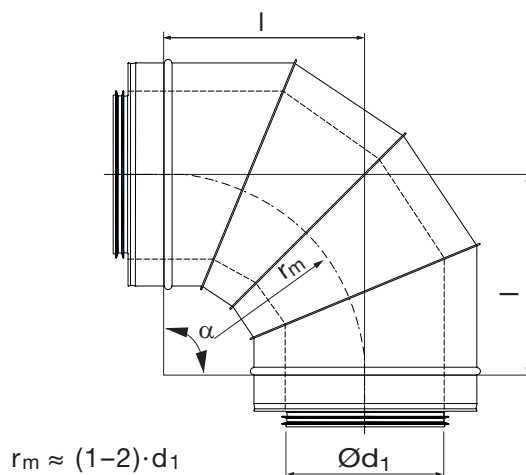
# BFUI 90°



## Description

The bend is double-jacketed and insulated with mineral wool, and is supplied with Safe rubber seal in the inner dimension. The inner bend is build in segments.

## Dimensions



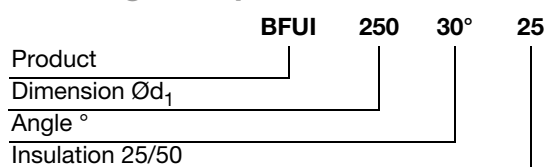
### 25 mm insulation.

Ød nom	l [mm]	m [kg]
125	180	1,78
160	200	4,40
200	250	5,40
250	300	6,80
300	355	9,70
315	355	11,4
355	400	15,8
400	450	21,5
450	500	26,7
500	560	32,9

### 50 mm insulation.

Ød nom	l [mm]	m [kg]
125	224	2,22
160	260	5,80
200	300	7,30
250	355	8,90
300	400	12,5
315	400	14,7
355	450	20,6
400	500	25,3
450	560	31,8
500	600	38,9

## Ordering example



## Bend, isol

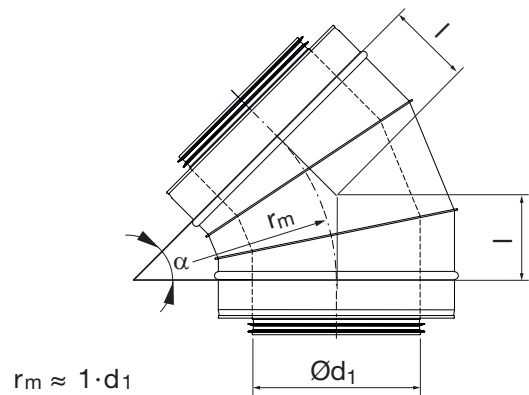
## BFUI 45°



## Description

The bend is double-jacketed and insulated with mineral wool, and is supplied with Safe rubber seal in the inner dimension. The inner bend is build in segments.

## Dimensions



## 25 mm insulation.

Ød nom	l [mm]	m [kg]
125	75	1,13
160	83	2,40
200	104	3,00
250	124	3,80
300	145	5,80
315	147	4,60
355	166	8,80
400	186	14,4
450	207	15,4
500	232	19,0

## 50 mm insulation.

Ød nom	l [mm]	m [kg]
125	93	1,74
160	108	3,40
200	124	4,20
250	147	5,10
300	166	7,30
315	166	8,60
355	186	12,0
400	207	14,4
450	232	18,2
500	249	22,3

# Bend, isol

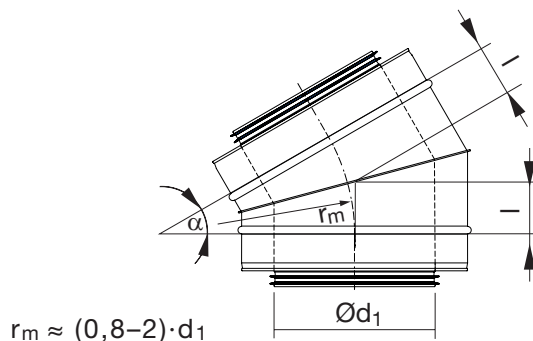
# BFUI 30°



## Description

The bend is double-jacketed and insulated with mineral wool, and is supplied with Safe rubber seal in the inner dimension. The inner bend is build in segments.

## Dimensions



### 25 mm insulation.

Ød nom	l [mm]	m [kg]
125	48	1,05
160	54	2,10
200	67	2,60
250	80	3,30
300	95	4,70
315	95	3,60
355	107	5,90
400	122	9,20
450	135	11,2
500	151	13,8

### 50 mm insulation.

Ød nom	l [mm]	m [kg]
125	60	1,35
160	70	2,90
200	80	3,60
250	95	4,20
300	107	5,40
315	107	6,30
355	122	8,80
400	134	10,7
450	150	13,2
500	161	16,0